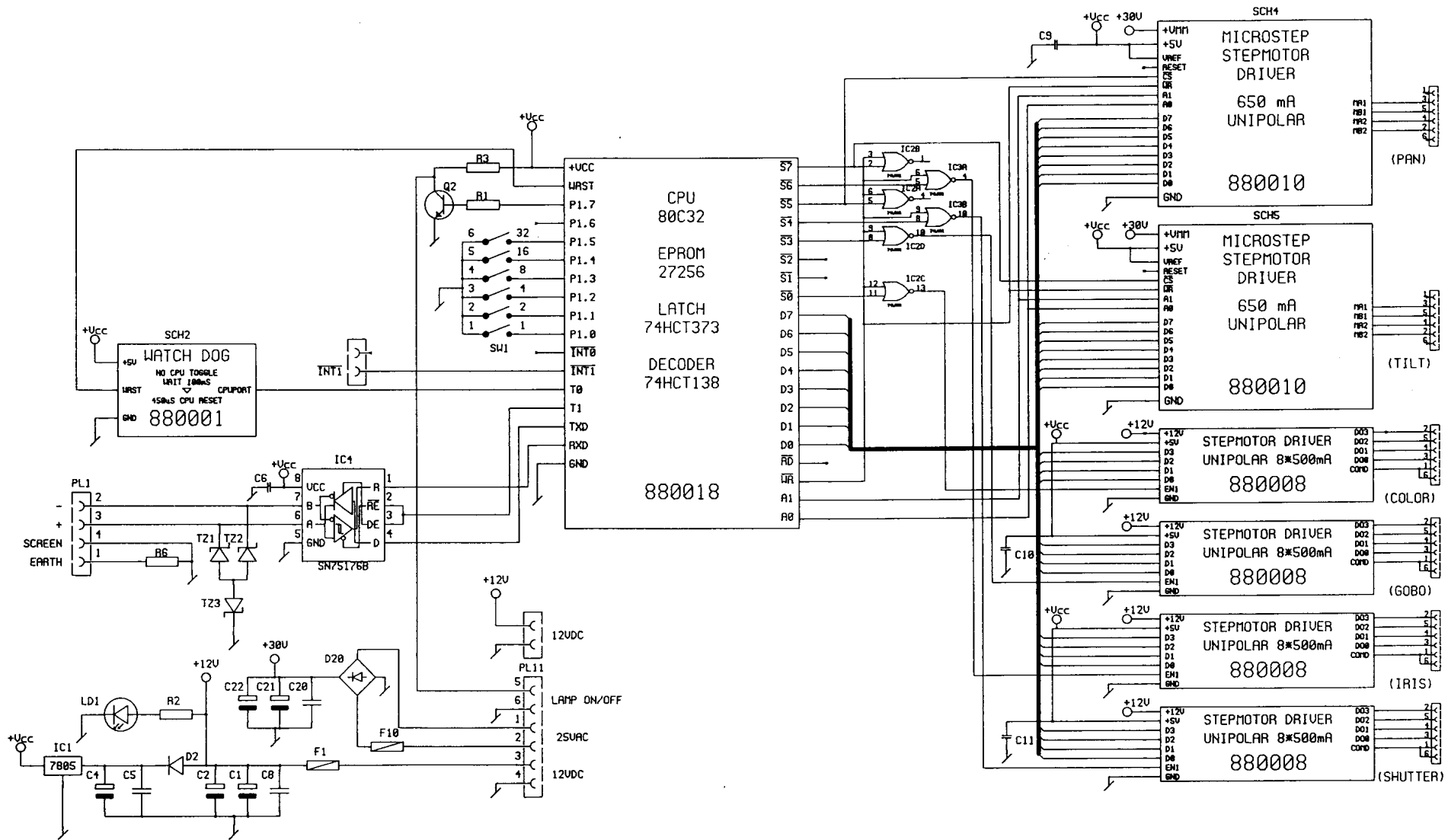
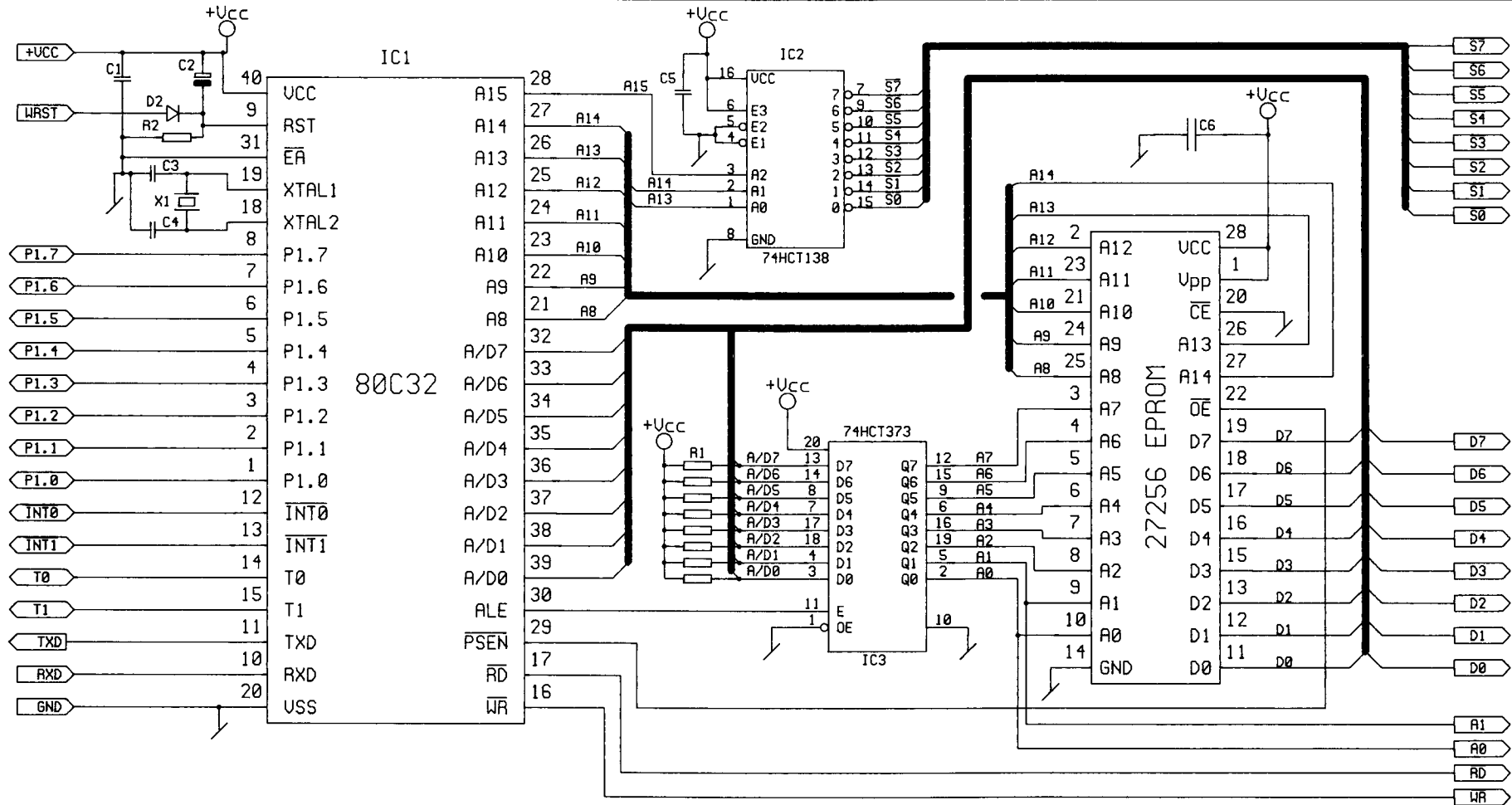


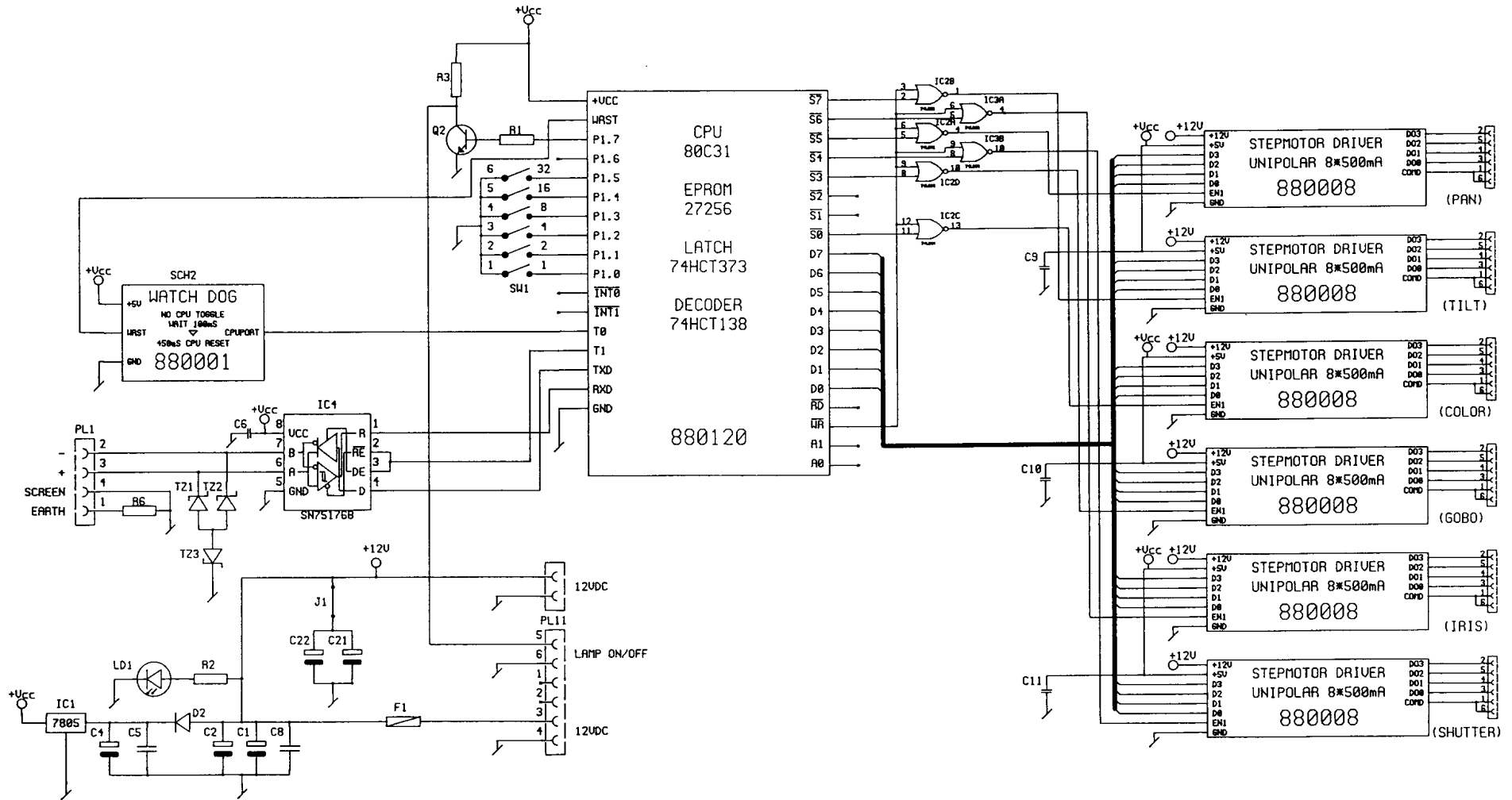
Product 911220, Roboscan Pro 1220 1.			
Name 911220.SCH			
Eng. Martin Professional			sign
Number 93060701	page 1	of 1	
Replacing		Replaced by	



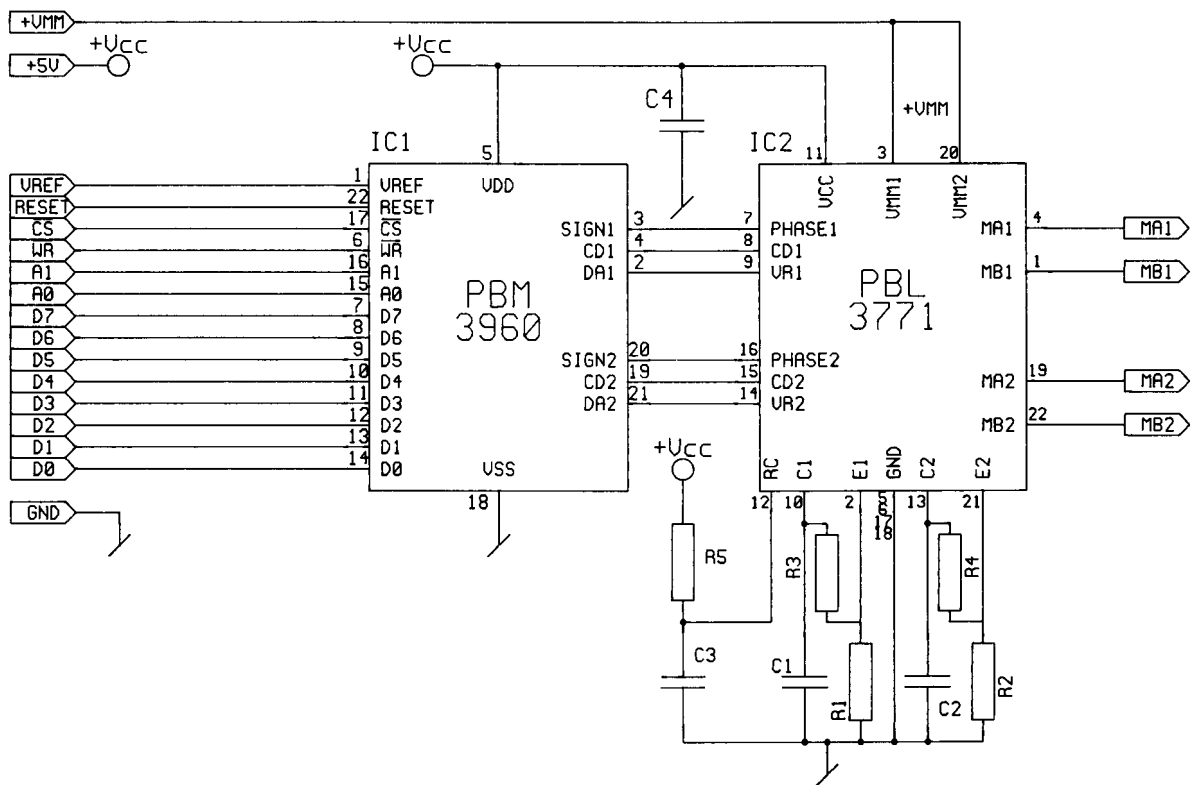
Product 845228, Motherboard PCB A-section		
Name 845228.SYM		
Eng. Martin Professional		sign
Number 93050301	page 1	of 1
Replacing	Replaced by	



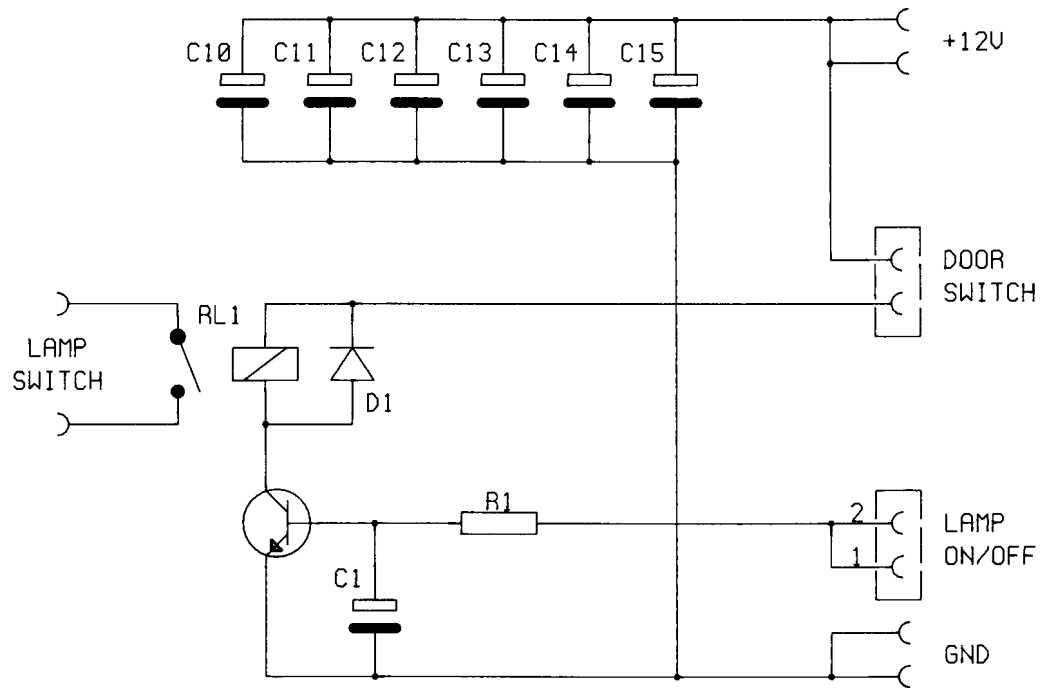
Product 880018, 80C32 CPU, EPROM Latch, Decoder		
Name 880018.SYM		
Eng. Martin Professional	sign	
Number 93040201	page 1	of 1
Replacing	Replaced by	



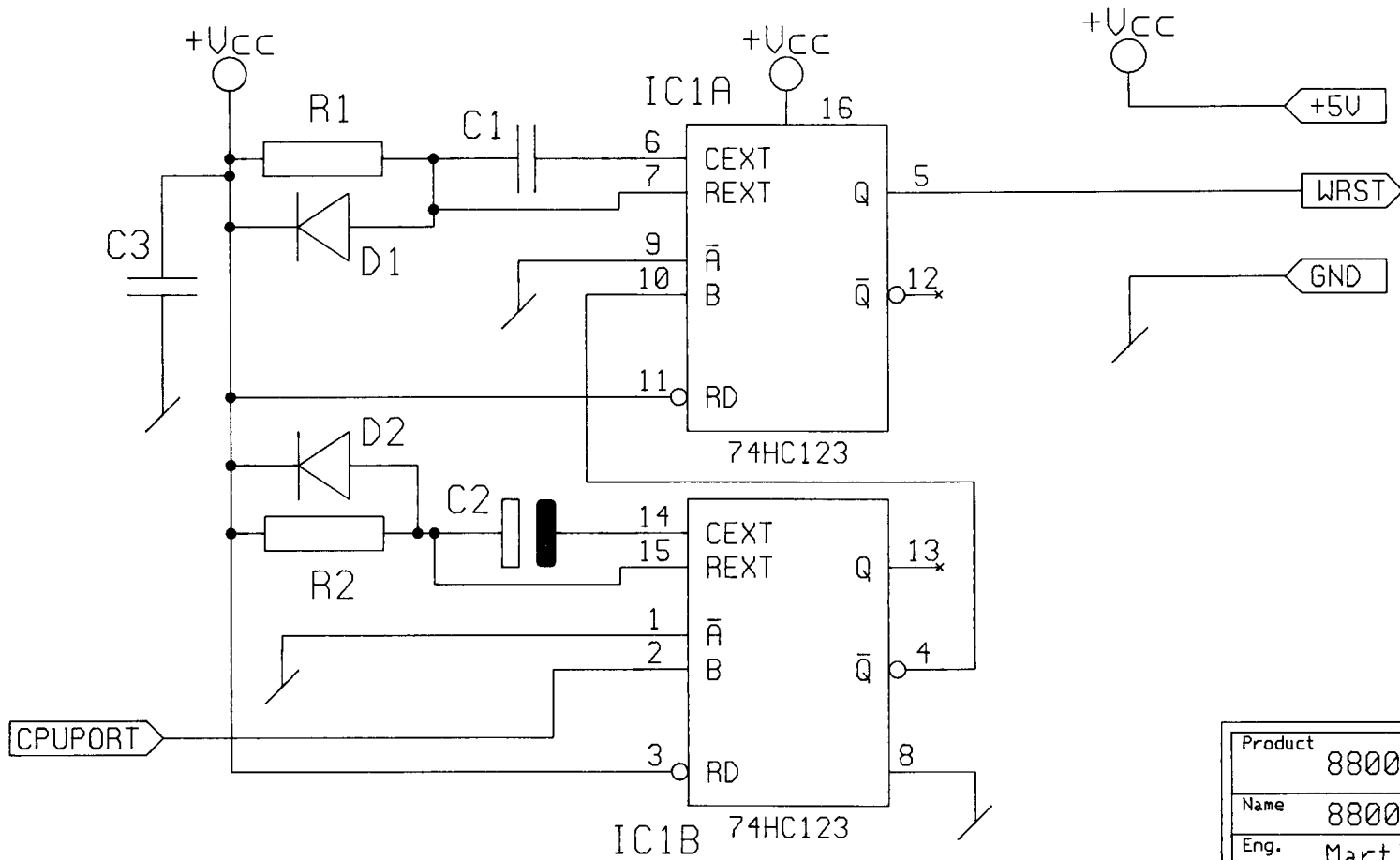
Product 845229, Motherboard PCB B-section		
Name 845229.SYM		
Eng. Martin Professional	sign	
Number 93050301	page 1	of 1
Replacing	Replaced by	



Product 880010, Stepmotor Driver (Microstepping)		
Name 880010.SYM		
Eng. Martin Professional	sign	
Number 93040201	page 1	of 1
Replacing	Replaced by	

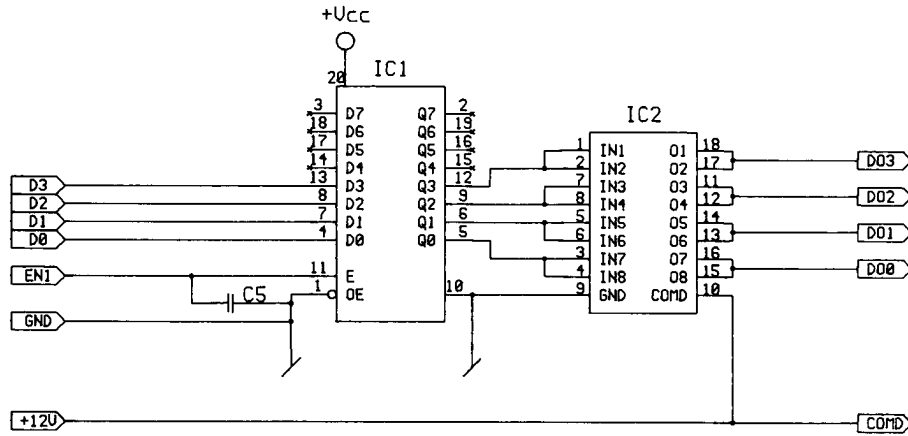


Product 810231, PCB Lamp On/Off		
Name 810231.SYM		
Eng. Martin Professional	sign	
Number 94050301	page 1	of 1
Replacing	Replaced by	

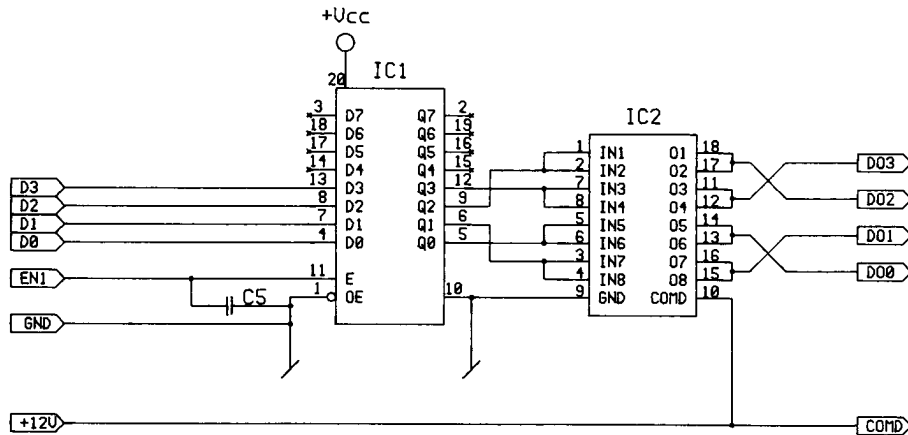


Product		
880001, Watch Dog		
Name		
880001.SYM		
Eng.		sign
Martin Professional		
Number	page	of
93040201	1	1
Replacing		Replaced by

A



B



A) PAN + TILT + SHUTTER (TEXT ON PCB)

B) COLOR + GOBO + IRIS (TEXT ON PCB)

Product 880008, Stepmotor Driver		
Name 880008.SYM		
Eng. Martin Professional	sign	
Number 93040201	page 1	of 1
Replacing	Replaced by	